



A.camminetti

OPEN SIDE FIREPLACES

TECHNICAL SPECIFICATION

OVERALL DIMENSION

MODEL **FLAT 60 OPEN SIDE**

POWER 7 - 12KW

EFFICIENCY >75%

CONSUME 2-3 KG/H

WEIGHT 85 KG

FLUE GAS TEMPERATURE 222 °C

FUEL WOOD/BRIQUETTE

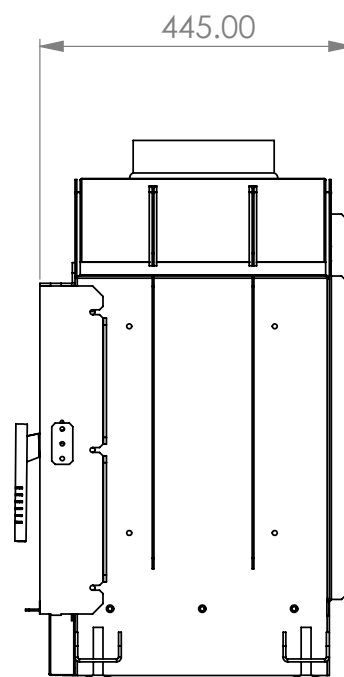
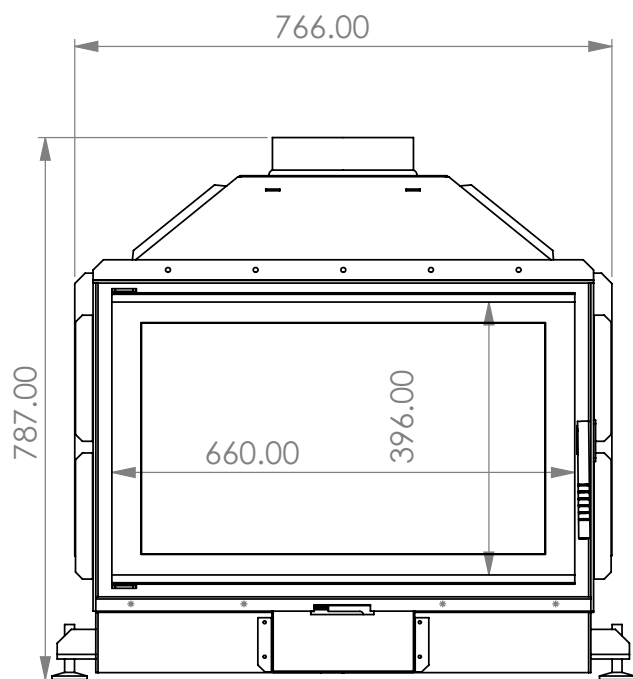
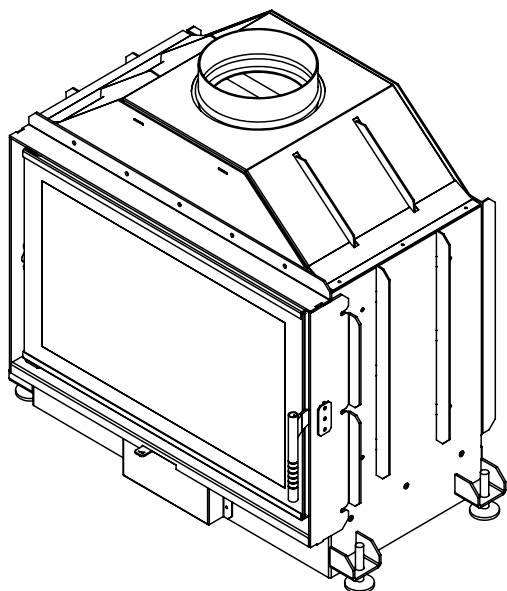
PIPE DIAMETER \varnothing 200 MM

WARRANTY 5 YEARS

HEIGHT 787 MM

DEPTH 445 MM

WIDTH 766 MM



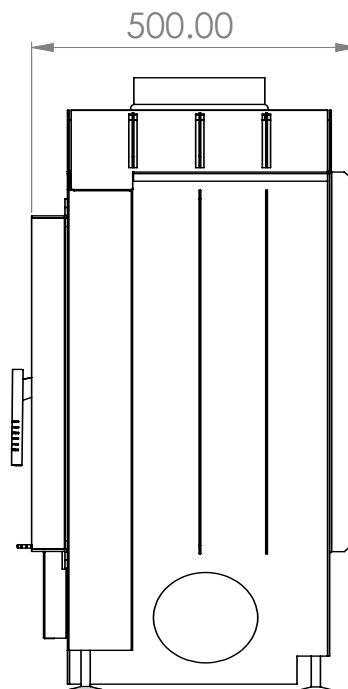
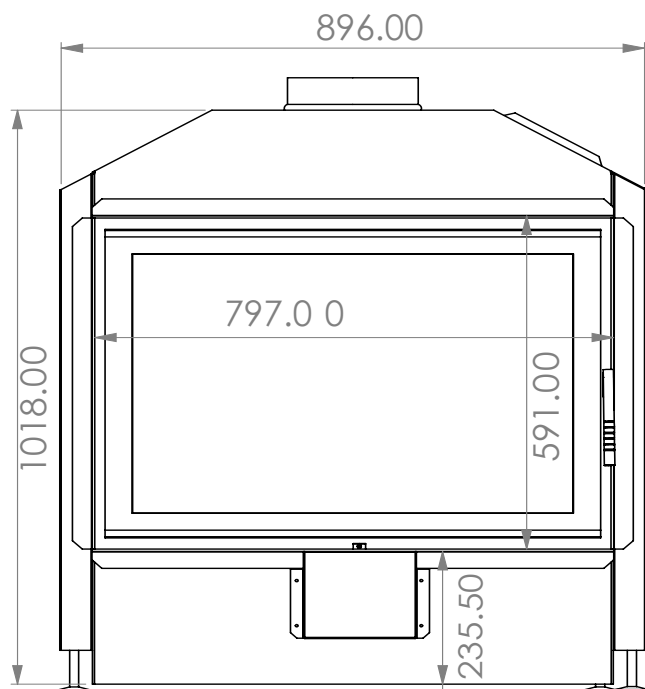
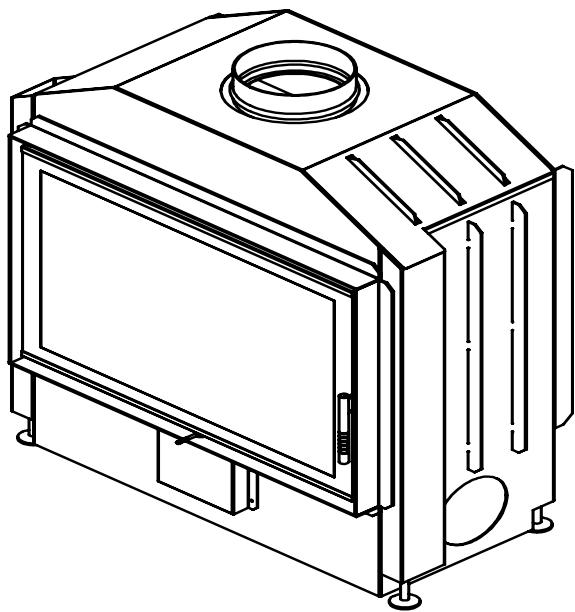


TECHNICAL SPECIFICATION

MODEL	FLAT 80 OPEN SIDE
POWER	7 - 12KW
EFFICIENCY	>75%
CONSUME	2- 3.5 KG/H
WEIGHT	125 KG
FLUE GAS TEMPERATURE	227 °C
FUEL	WOOD/BRIQUETTE
PIPE DIAMETER	ø 200 MM
WARRANTY	5 YEARS

OVERALL DIMENSION

HEIGHT	1018 MM
DEPTH	500 MM
WIDTH	896 MM

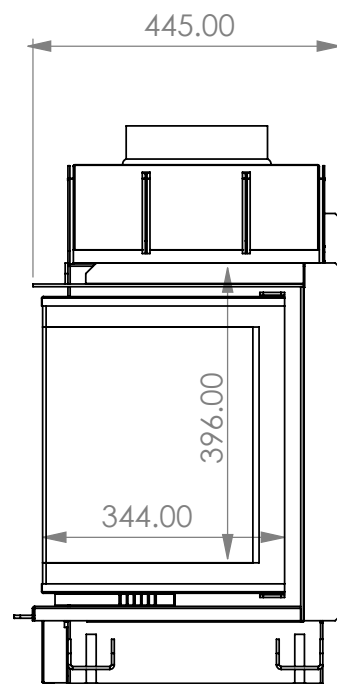
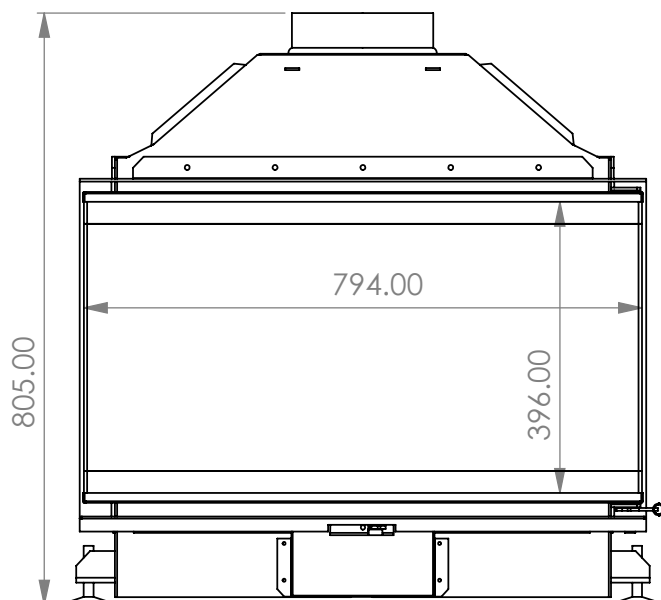
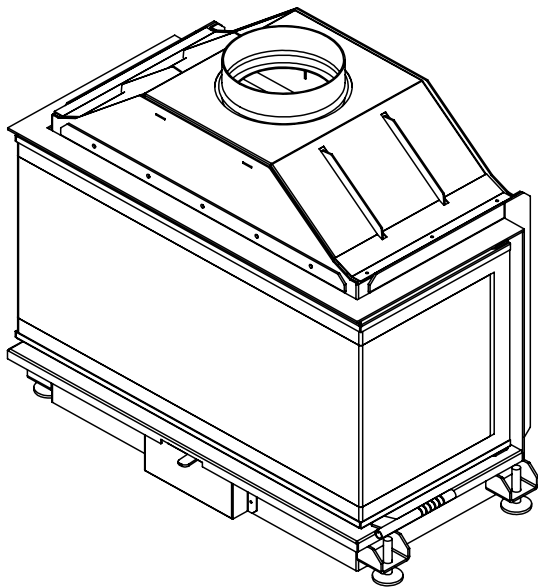


TECHNICAL SPECIFICATION

OVERALL DIMENSION

MODEL	CRYSTAL 80 OPEN SIDE
POWER	7 - 12 KW
EFFICIENCY	>75%
CONSUME	2 - 3,5 KG/H
WEIGHT	90 KG
FLUE GAS TEMPERATURE	227 °C
FUEL	WOOD/BRIQUETTE
PIPE DIAMETER	∅ 200 MM
WARRANTY	5 YEARS

HEIGHT	805 MM
DEPTH	445MM
WIDTH	794MM

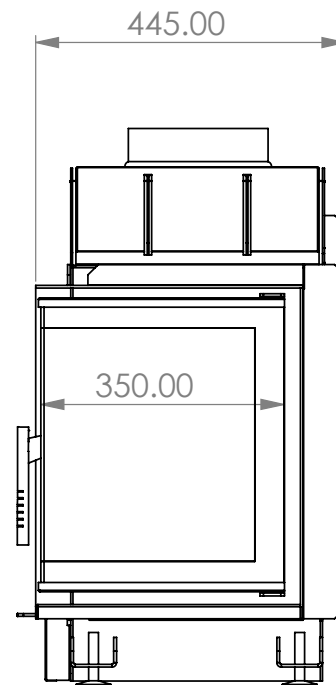
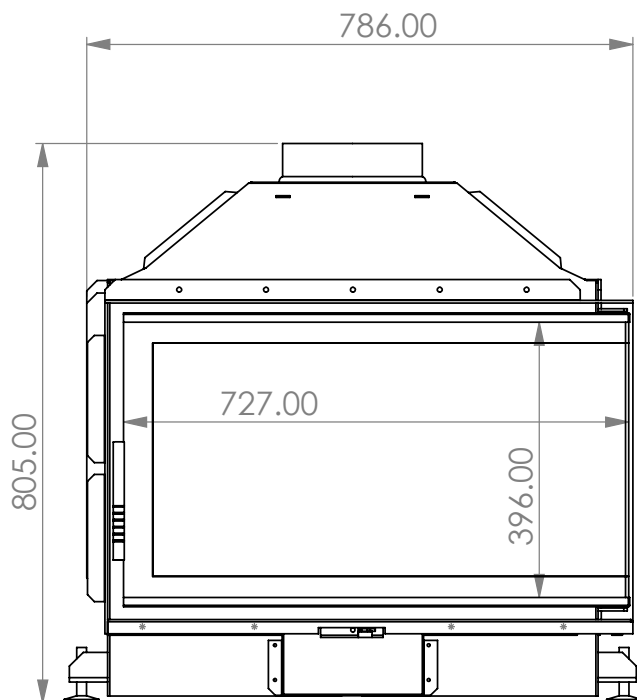
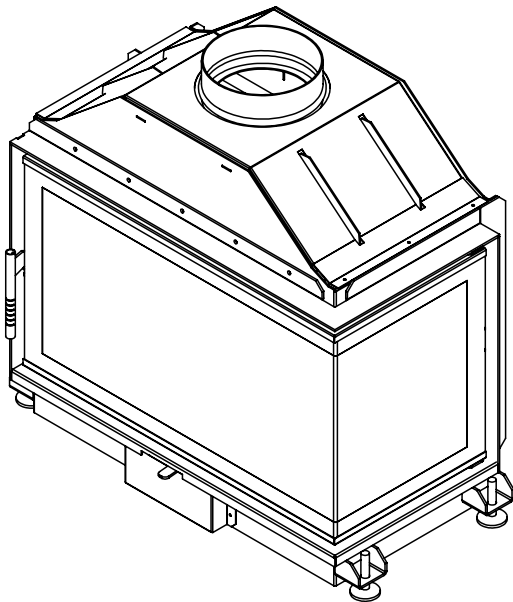


TECHNICAL SPECIFICATION

MODEL	QUATTRO 70 L OPEN SIDE
POWER	7 - 12 KW
EFFICIENCY	>75%
CONSUME	2-3,5 KG/H
WEIGHT	86 KG
FLUE GAS TEMPERATURE	238 °C
FUEL	WOOD/BRIQUETTE
PIPE DIAMETER	ø 200 MM
WARRANTY	5 YEARS

OVERALL DIMENSION

HEIGHT	805 MM
DEPTH	445 MM
WIDTH	786 MM



TECHNICAL SPECIFICATION

OVERALL DIMENSION

MODEL	QUATTRO 70 R OPEN SIDE
POWER	7 - 12 KW
EFFICIENCY	>75%
CONSUME	2- 3,5 KG/H
WEIGHT	86 KG
FLUE GAS TEMPERATURE	238 °C
FUEL	WOOD/BRIQUETTE
PIPE DIAMETER	∅ 200 MM
WARRANTY	5 YEARS

HEIGHT	805 MM
DEPTH	445 MM
WIDTH	786 MM

